

AX93280 Quick Installation Guide

Note:

Please check your Power Device (PD)'s power consumption. It is suggested to connect Class1 and 2 PD on PICOxx1 series.

Connect PD(Class 1):

For +5VDC-in PICOxx1 series, 2.4A(5V) are left for other I/O function.

For +12V DC-in PICOxx1 series, 2.6A(5V) are left for other I/O function.
Connect PD(Class 2):

For +5VDC-in PICOxx1 series, 1.5A(5V) are left for other I/O function.

For +5VDC-in PICOxx1 series, 1.7A(5V) are left for other I/O function.

CLASS	USAGE	MAXIMUM POWER LEVELSAT INPUT PD (W)
0	Type 1	0.44 to 12.95
1	Type 1	0.44 to 3.84
2	Type 1	3.84 to 6.49
3	Type 1	6.49 to 12.95
4	Type 2	12.95 to 25.5

Checklist

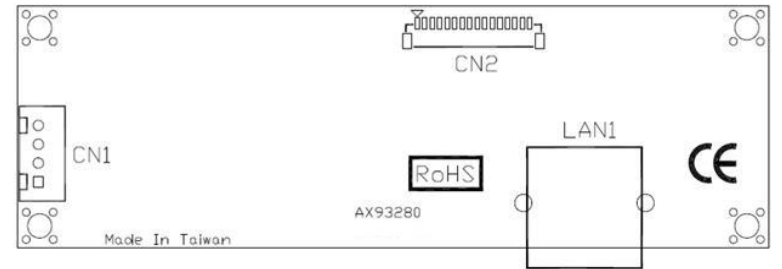
- ✓ I/O board x1
- ✓ LAN cable x1
- ✓ Power cable x2

Note: Please contact your local vendors if any damaged or missing items. DO NOT apply power to the board if there is any damaged component.

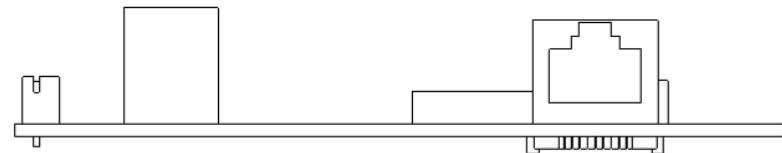
Connectors

Connector	Description
CN1	5V DC Power In Connector
CN2	Ethernet Connector
LAN1	RJ-45 Ethernet Port

Board Layout

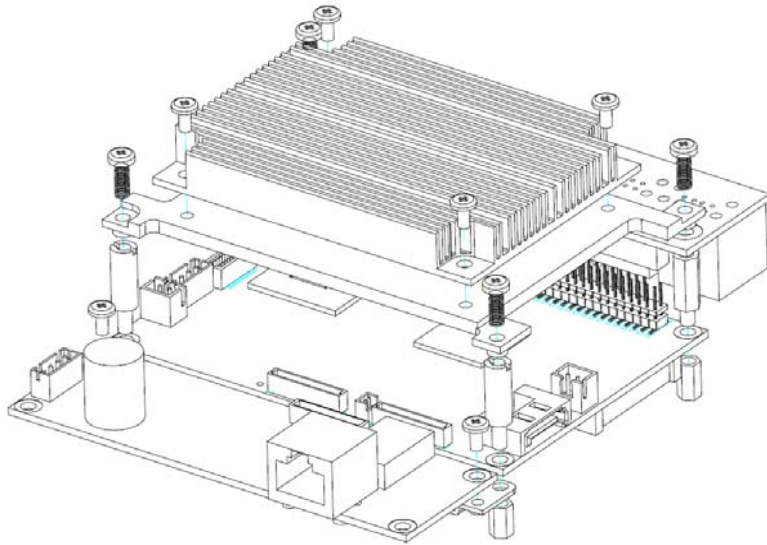


Top View



Side View

Assembly Drawing



Quick Start

The procedures required to power on PICOXX1 series with AX93280 installed:

- (1) Require at least 40W DC power adapter. Make sure that all necessary peripheral devices are plugged properly on PICOxx1 series.
- (2) Connect the power connector (2 pin) on PICOXX1 series which provides +5V with DC Power In connector (CN1) on AX93280 via power cable.
Connect the ethernet connector on PICOxx1 series with ethernet connector (CN2) on AX93280 via LAN cable.
- (3) Following assembly drawing, install heatsink, heatspreader and AX93280 I/O board on PICOXX1 series.
- (4) Press the system power switch to power on PICOXX1 series.
Use Internet cable into LAN1 on AX93280 to a power device (PD) which complies with IEEE802.3af standard, such as IP camera.