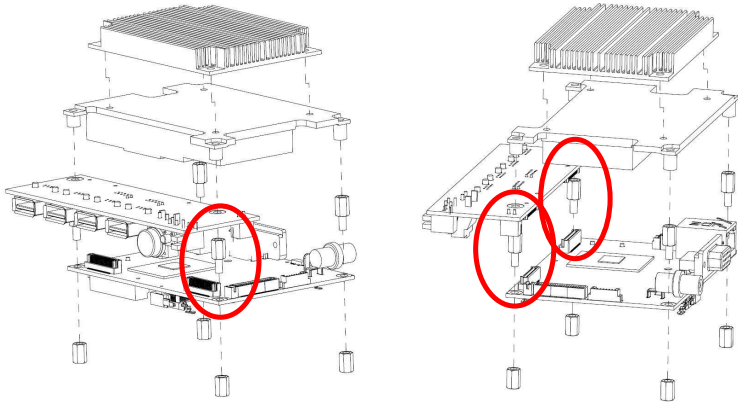


Assembly Drawing



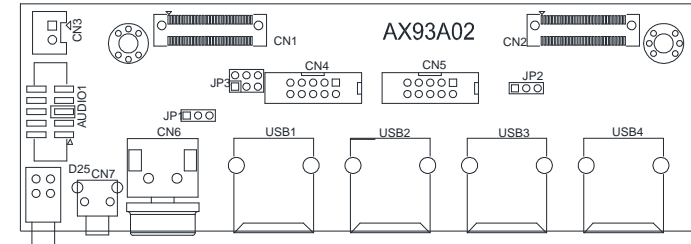
Note: The two 8mm height copper M-F hex stand-offs (P/N: 79380363600E) which are circled are placed in the AX93A02 gift box. Please use them to ensure AX93A02 fully installed on Pico-ITX board.

AX93A02 Quick Installation Guide

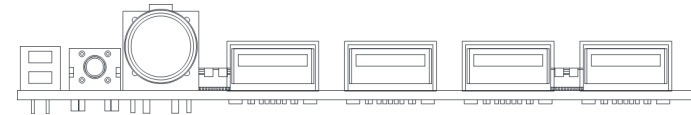
Checklist

- ✓ I/O Board x1
- ✓ Quick Installation Guide x1
- ✓ Copper M-F hex stand-off x2
- ✓ Screw x2

Board Layout

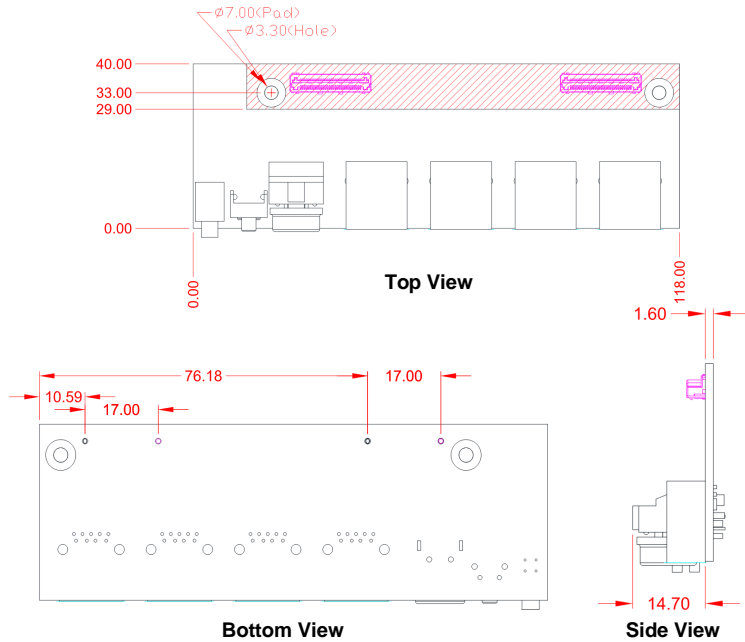


Top View



Side View

Board Dimensions and Fixing Holes



Jumper Settings

Before applying power to the AX93A02, please make sure all of the jumpers are in factory default positions.

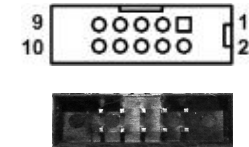
Jumper	Description	Setting	
JP1	USB port 0 and 1 Power Selection	+5V_SBY (Default)	1-2 Close
		+5V	2-3 Close
JP2	USB port 2 and 3 Power Selection	+5V_SBY (Default)	1-2 Close
		+5V	2-3 Close
JP3	COM1 Data/Power Selection	Power: Set COM1 pin 8 to +12V level	1-3 Close
		RS-232 Data: Set COM1 pin 8 to RI (Default)	3-5 Close
		Power: Set COM1 pin 1 to +5V level	2-4 Close
		RS-232 Data: Set COM1 pin 1 to DCD (Default)	4-6 Close

Connectors

Connector	Description
CN1	Board to Board Connector 1 (Low Speed Signal)
CN2	Board to Board Connector 2 (High Speed Signal)
CN3	+5V Fan Power Connector
CN4	COM1 Wafer Connector
CN5	COM2 Wafer Connector
CN6	System Power Switch
CN7	System Reset Switch
AUDIO1	Audio Connector
USB1	USB 3.0 Port 0
USB2	USB 3.0 Port 1
USB3	USB 3.0 Port 2
USB4	USB 3.0 Port 3
D25	Power and HDD LED Indicator

COM1 and COM2 Wafer Connector (CN4 and CN5)

Pin	RS-232	RS-422	RS-485
1	DCD	TX-	Data-
2	DSR	No use	No use
3	RXD	TX+	Data+
4	RTS	No use	No use
5	TXD	RX+	No use
6	CTS	No use	No use
7	DTR	RX-	No use
8	RI	No use	No use
9	GND	No use	No use
10	No use	No use	No use



Audio Connector (AUDIO1)

Pin	Signal	Pin	Signal
1	MIC_IN	2	GND
3	LINE_IN_L	4	GND
5	LINE_IN_R	6	GND
7	AUDIO_OUT_L	8	GND
9	AUDIO_OUT_R	10	GND

