

AX60810

Wall Mount Chassis for ATX and Micro-ATX Motherboards

Features

- Supports ATX/micro-ATX motherboard
- Front-accessible one 5.25" HDD and two 3.5" HDD drive bays
- Equipped with a PS/2 type power supply
- One 12cm ball-bearing fan
- Bidirectional mounting chassis
- Easy removable filter
- Flexible I/O opening on rear



▲ Top view



▲ Rear view

Specifications

Standard Color	Warm gray
Construction	Heavy-duty steel
System Board	ATX or mATX
Drive Capacity	Exposed 1 x 5.25" HDD drive bay 2 x 3.5" HDD drive bays
Cooling	1 x 12cm DC fan with a removable filter
Front Panel Indicators	1 x Power on/off 1 x HDD
Front Panel Controls	1 x Power on/off 1 x System reset
Front Panel Connector	2 x USB
Operating Temperature	0°C to +40°C (+32°F to +104°F)
Dimensions	196 ± 1.0mm (7.72") (W) x 407.4 ± 1.0mm (16.04") (D) x 330 ± 1.0mm (13") (H)
Weight (net/gross)	9 kg (19.84 lb)/10.3 kg (22.7 lb)

Ordering Information

AX60810 (P/N: E260810100)	Shoebbox 7-slot warm gray chassis for ATX/micro-ATX motherboard w/o PSU
------------------------------	---

*Specifications and certifications are based on options and may vary.

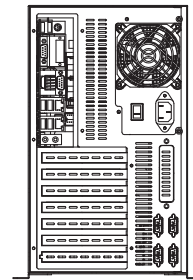
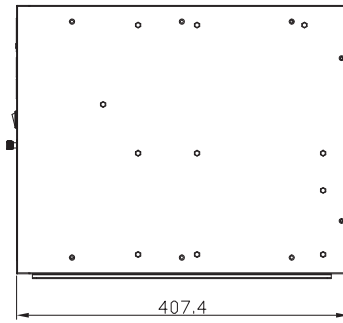
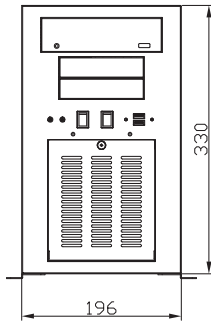
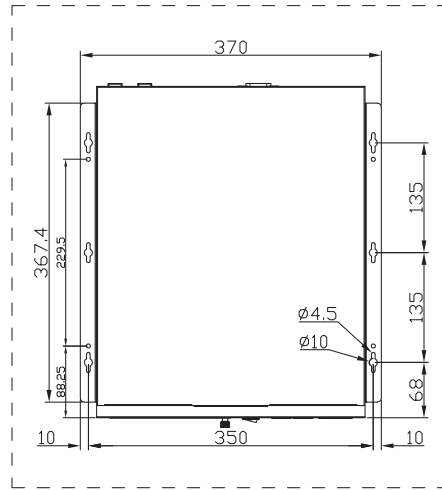
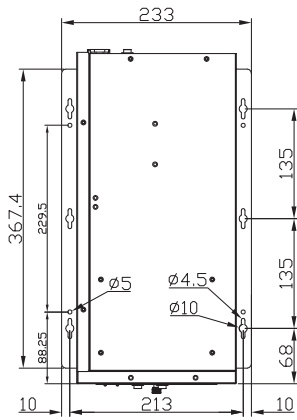
Power Supply Information

50904B24010E	ATX 400W FSP-400-70PFL (SK)
50916A06000E	ATX 600W SS-600ES2

Optional Accessories

50787861200E	LGA1151/1155/1156 CPU cooler
72061560000E	3.5" to 5.25" HDD bracket (Need to buy a pair)
881608100A0E	AX60810 USB dongle kit

Dimensions



1

2

3

4

5

6

7

Industrial
Chassis

8

9

10