

rBOX204-FL Quick Installation Guide

V. Installing the CompactFlash™ Card

- Step 1** Turn off the system.
- Step 2** Loosen these screws, and remove the cover from the system.
- Step 3** Loosen these screws and remove the Thermal & CompactFlash™ fixing bracket from the system.



- Step 4** Insert the CompactFlash™ card into the socket until it is firmly seated. Put the Thermal & CompactFlash™ fixing bracket back to the system, and fasten screws tight close the Thermal & CompactFlash™ fixing bracket.



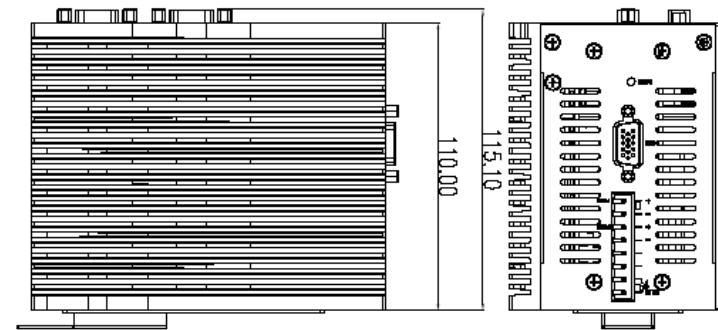
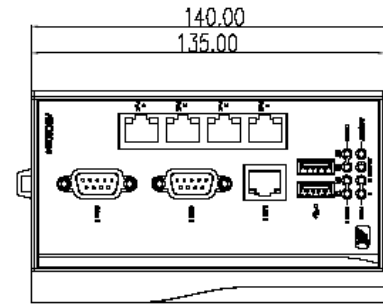
- Step 5** Put the cover back to the system, and fasten screws tight close the chassis.

rBOX204-FL Quick Installation Guide

I. Packing List

✓ rBOX204-FL System Unit x 1	✓ Power terminal block
✓ rBOX204-FL Quick Installation Guide x 1	✓ CD x 1 (for Driver and User's Manual)
✓ Screws	✓ Din-rail Kit x1

II. Dimensions

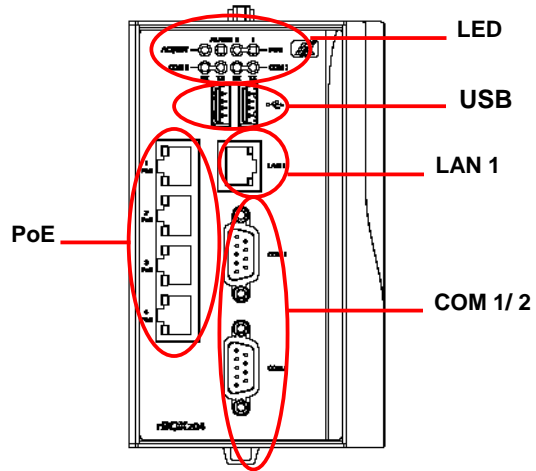


rBOX204-FL Quick Installation Guide

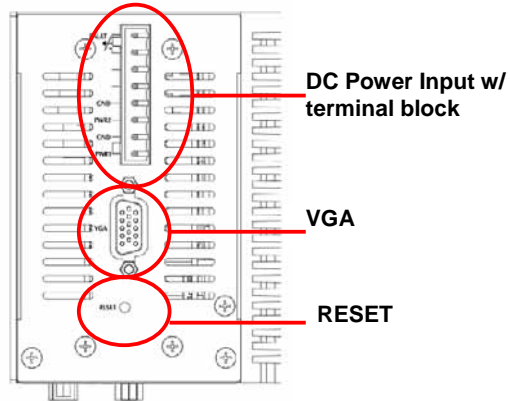
III. I/O Outlets

The following figures show you I/O outlets on front view and top view of the rBOX204-FL.

• Front View



• Top View

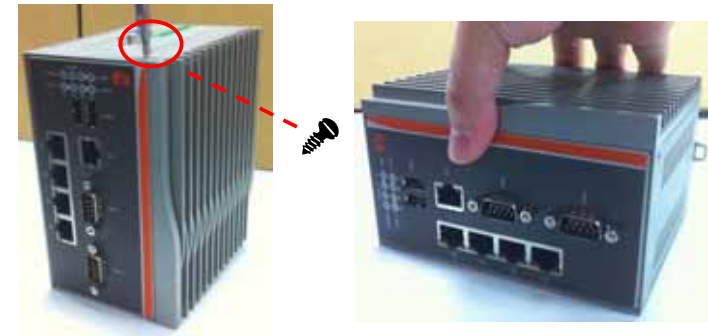


rBOX204-FL Quick Installation Guide

IV. Installing the Memory Module

Step 1 Turn off the system.

Step 2 Loosen these screws, and remove the top cover from the system.



Step 3 Hold one side of the module, and insert the gold colored contact into the socket. Push the module down. The memory module is locked by two latches on the sides.



Step 4 Close the cover to the chassis, and fasten all screws.