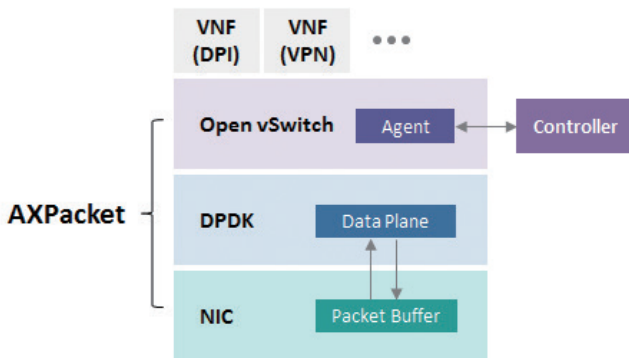


AXPacket 1.0

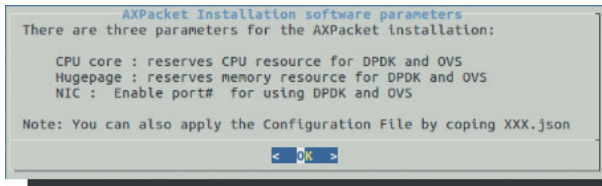
Open vSwitch with DPDK Ready Software Development Kit

Introduction

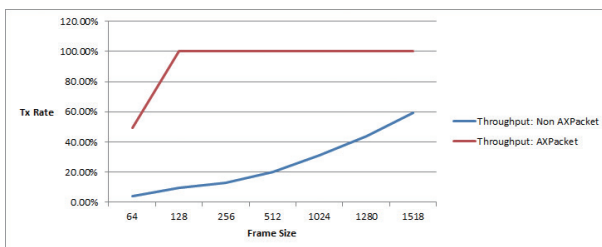
AXPacket is a software development kit integrating Open vSwitch V2.8 (OVS V2.8) with the Data Plane Development Kit V17.05.2 (DPDK V17.05.2). The AXPacket enables developers to accelerate their network development without increasing any cost. It has a user friendly UI and smooth installation procedure to help software developers to minimize the effort of fine-tuning performance. The AXPacket offers a wizard type procedure to guide the user through installation and configuration.



With the AXPacket, software developers can install OVS with DPDK (OVS-DPDK) and parameters for CPU cores, Hugepages, and NIC ports on Axiomtek's network appliances with just a few selections.



Throughput improvement by AXPacket



Features

- Unified configuration for different x86 platforms
- Supports Open vSwitch 2.8 and DPDK 17.05.2
- Hardware resource awareness
- Compliant with Ubuntu 17.04

Core System

System Requirement	Axiomtek Network Appliance and BIOS Note** AXPacket needs to work with particular BIOS version. Please contact sales to get the BIOS
	Multi-core CPU N+1 cores Note** 1 core for OS and N core for LAN ports
	DDR Bigger or equal to 16GB Note** It is strongly recommended to reserve enough memory capacity for DPDK.
System Developing Environment	Coreutils CMP, SED, GREP, ARCH, UNZIP, etc.
	gcc Version 4.9 or later
	Python Version 2.7+ and 3.2+, pip
	Python 2.7+ six
	Python 3.2+ pythondialog
	GNU make
	libnuma-dev
	libc headers, often packaged as GCC-multilib 5. Linux kernel headers or sources.
	git
	dh-autoreconf
	libpcap-dev
	dialog
	ethtool
	zip